

二进八出分配器用户手册

特别提示

在使用本产品之前, 请务必先仔细阅读本使用说明书。
请务必妥善保管好本书, 以便日后能随时查阅。
请在充分理解内容的基础上, 正确使用。
本公司保留对产品进行更改的权利, 由于技术更新产品参数变化恕不另行通知。

产品简介

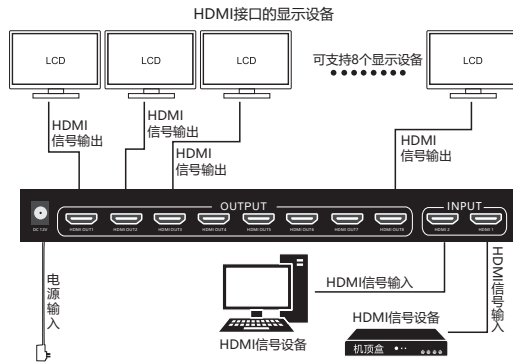
二进八出分配器可将2路HDMI源信号分成8个显示信号。此分配器将输入的HDMI信号分成多路一致、同步的HDMI信号输出。并且具有信号缓冲、放大能力。输入最长支持15米, 输出最长支持15米。

产品特点

- ◆ HDMI1.4, 支持3D视频格式, 分辨率最高支持3840*2160/30Hz, 向下完美兼容;
- ◆ 高速传输, 数据传输速率最高可达10.2bps;
- ◆ 支持24/30/36位色深;
- ◆ 支持HDCP设备;
- ◆ 支持4K信号输入输出;
- ◆ 兼容高达3840*2160/30Hz的分辨率和1080/120Hz;
- ◆ 兼容音频格式: LPCM7.1/DTS/DOLBY-AC3/DSD/DTS-HD/DTS-HD/Dolby-trueHD;
- ◆ 输入最长支持15米, 输出最长支持15米 (使用24AWG标准HDMI1.4规格的线缆);
- ◆ 通过堆叠的方法, 可以提高HDMI输出端口的数量;
- ◆ 无信号损失。

(以产品实物为准)

连接示意图



使用说明

- ◆ 请在开机前确保所有电缆线连接正确;
- ◆ 清理或长时间不使用时, 请拔掉电源插头;
- ◆ 请使用该产品的专用电源适配器, 并在适配器标注的电源范围内使用;
- ◆ 工作温度: 0~40°C, 工作湿度范围: 5~85%RH(无冷凝)。

维护说明

- ◆ 请勿在设备上放任何重物, 请将设备安放在牢固的地方;
- ◆ 请勿堵塞通风孔, 请将设备放在通风干燥的地方;
- ◆ 请勿把产品放在火热、寒冷、潮湿或有灰尘的地方使用或存储。

性能参数

最高数据速率	10.2Gbps(每色3.4Gbps)
最高像素时钟	340MHz
输入分辨率	24/50/60Fs/1080P/1080i/720P 576P/576i/480P/480i/24/30/2160P
信号标准	HDMI
静电保护	8KV
支持视频色深	24/30/36位色深
产品规格	283×92×34mm

配件清单

序号	名称	数量
1	产品主机HDMI二进八出分配器	1
2	电源适配器	1
3	遥控器	1
4	用户手册	1
5	保修卡	1

安全使用须知

为确保设备可靠使用及人员的安全, 请在安装、使用和维护时, 请遵守以下事项:

- 请勿在下列场所使用本产品: 有灰尘、油烟、导电性尘埃、腐蚀性气体、可燃性气体的场所; 暴露于高温、结露、风雨的场合; 有振动、冲击的场合。电击、火灾、误操作也会导致产品损坏和恶化;
- 避免带电状态进行接线、插拔电缆插头, 否则容易导致电击, 或导致电路损坏;
- 安装和接线必须牢固可靠, 接触不良可能导致误操作;
- 本产品通过电源线的接地导线接地, 为避免电击, 必须将接地导线与大地相连, 在对本产品的输入端或输出端进行连接之前, 请务必将本产品正确接地;
- 必须将外部电源全部切断后, 才能进行安装、接线等操作, 否则可能引起触电或设备损坏;
- 在下列情况下, 请立即断开电源, 并与公司联系:
 1. 设备进水;
 2. 设备摔坏或机壳破裂;
 3. 设备工作异常或展示的性能已完全改变;
 4. 设备产生气味、烟雾或噪音。
- 请不要自己修理设备, 除手册中有明确指示外。

2 To Port HDMI Splitter Manual

Special Notification

Before using this product, please read this manual carefully.
Please keep this manual for future reference.
The company may change the fuction of product without notice.

Product Introduction

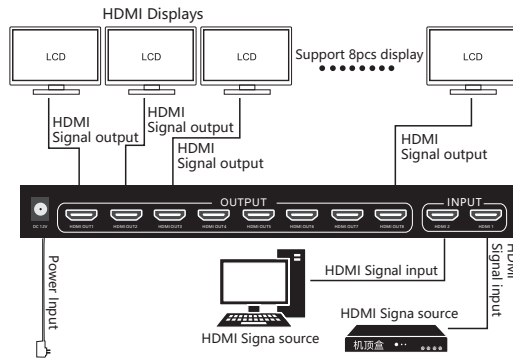
2*8 HDMI Splitter distribute two ways HDMI Signal sources to eight displays.This splitter distribute HDMI signal to multi HDMI signal Output with synahronous transmission and this model have signal buffering andamplification function.Input and output support the longest 15 meters.

Features

- ◆ HDMI1.4 version, Support 3D, The highest resolution support 840*2160/30Hz, downward compatible perfect.
- ◆ High speed transmission, the fastest data transfer rate is 6.75Gbps no delay, no sluggish.
- ◆ Support color depth: 24/30/36 bit color depth.
- ◆ Support HDCP.
- ◆ Support 4K signal Input & Output.
- ◆ Compliance with resolution 3840*2160/30Hz and 1080P/120Hz.
- ◆ Support audio format: LPCM7.1/DTS/Dolby-AC3/DSD/DTS-HD/Dolby-trueHD.
- ◆ Input and output support the longest 15 meters (with Standard HDMI 1.4 cable, AWG24).
- ◆ Support cascade to achieve multi output ports.
- ◆ Transmission with no loss.

(To prevail in kind)

Connection Diagram



Use Manual

- ◆ Make sure all cables are properly connected before turning.
- ◆ Please unplug when clean-up or long time no use.
- ◆ Please use the product-specific power adapter and use in the range of the adaoter marked.
- ◆ Working Temperature: 0~40°C,
- ◆ Working humidity range: 5~85%RH(No condensation).

Maintenance Instrctions

- ◆ Do not put any heavy objects on the device,connect the devuce placed in secure places.
- ◆ Do not block the ventilation holes, place the device in a dry and ventilated place.
- ◆ Do not place the product in, cold, humid or dusty place used or stored.

Performance Parameter

Max Data Rate	HDMI 1.4 a compliant with data rates up to 2.25Gbps
Pixel	340MHz
Input Resolution	24/50/60Fs/1080P/1080i/720P 576P/576i/480P/480i/24/30/2160P
Signal Standard	HDMI
Electrostatic Protection	8KV
Support video color depth	color depths of 8,10 and 12 bits per
Size	283×92×34mm

Packing List

NO.	Name	Qty
1	HDMI Splitter	1
2	Power Adapter	1
3	Remote Control	1
4	Manual	1

The matters needing attention of installation

In order to ensure the reliable performance of the equipment and the safety of the user, please observe the following matters during the process of installation, use and maintenance.

- Please do not use this product in the following places: the place of dust, soot and electric conductivity dust, corrosive gas, combustible gas; the place exposed to high temperature, condensation,wind and rain; the occasion of vibration and impact. Electric shock, fire, wrong operation can lead to damage and deterioration to the product, either;
- Should avoid wiring and inserting cable plug in charged state, otherwise it is easy to cause the shock, or electrical damage;
- The installation and wiring should be strong andreliable, contact undesirable may lead to false action;
- This product grounds by the grounding wires. To avoid electric shocks, grounding wires and the earth must be linked together. Before the connection of input or output terminal, please make sure this product is correctly grounded;

- Only after cutting down all external power source, can install, wiring operation begin, or it may cause electric shock or equipment damage;
- Please do not dismantle the equipment, avoid damaging the internal electrical component.