

8-Port HDMI切换器使用手册

特别提示

在使用本产品之前，请务必先仔细阅读本产品使用说明书。
请务必妥善保管好本书，以便日后能随时查阅。

请在充分理解内容的基础上，正确使用。

本公司保留对产品进行更改的权利，由于技术更新产品参数变化恕不另行通知。

产品简介

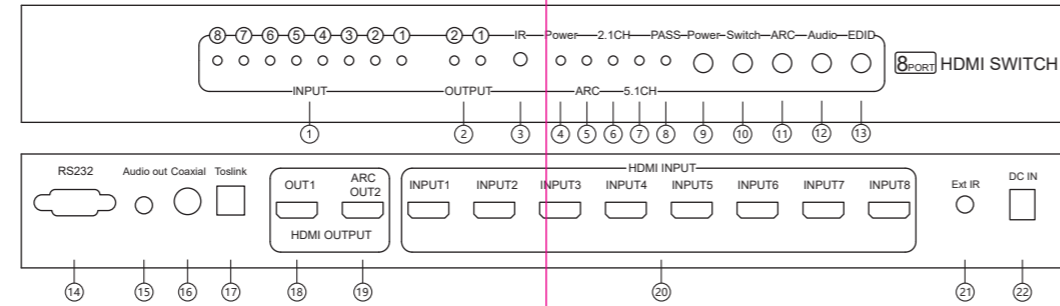
8口HDMI切换器是一款HDMI接口手动和遥控切换器。该切换器通过8路HDMI输入切换到2路HDMI输出到电视机或显示器。8个画面自由切换，音视频同步，带音频分离功能。适用于HDMI接口设备，兼容性好。

产品特点

- 8路HDMI输入切换到2路HDMI输出；
- 支持1080P、3D、4Kx2K；
- 任何一路HDMI信号源都可以分离出光纤、同轴和模拟音频输出；
- 可输出四种模式PASS、2.0CH、2.1CH、5.1CH；
- 支持ARC功能（有ARC功能的电视机）；
- 支持断电记忆功能；
- LED指示灯；
- 红外延长接口3.5mm；
- 音频接口3.5mm立体声；
- 端口支持按键切换、遥控切换和RS232；
- 外置电源。

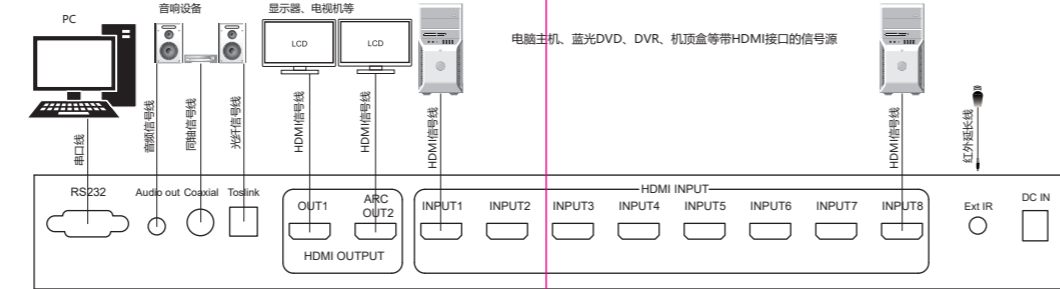
(以产品实物为准)

面板介绍



- ① INPUT 1~8 -----1~8信号输入指示灯
- ② OUTPUT 1~2 -----1~2信号输出指示灯
- ③ IR-----红外遥控接收器
- ④ Power-----电源指示灯
- ⑤ ARC-----音频回传指示灯
- ⑥ 2.1CH-----2.1声道指示灯
- ⑦ 5.1CH-----5.1声道指示灯
- ⑧ PASS-----PASS声道指示灯
- ⑨ Power-----待机按键
- ⑩ ARC-----ARC按键
- ⑪ Audio-----音频模式按键
- ⑫ EDID-----EDID按键
- ⑬ RS232-----RS232控制接口
- ⑭ Audio out-----3.5mm模拟2声道输出口
- ⑮ Coaxial-----同轴输出口
- ⑯ Toslink-----光纤输出口
- ⑰ OUT1-----HDMI输出1口
- ⑱ ARC OUT2-----HDMI输出2口(ARC功能)
- ⑲ HDMI INPUT-----HDMI输入接口
- ⑳ Ext IR-----红外延长器接口
- ㉑ DC IN-----电源输入接口

连接示意图



8-Port HDMI Switch Manual

Special Notification

Before using this product, please read this manual carefully.
Please keep this manual for future reference.
The company may change the fuction of product without notice.

Product Introduction

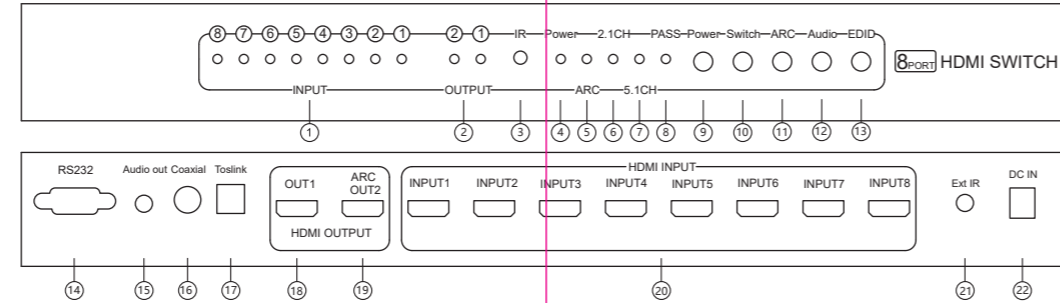
8 port HDMI switch is a HDMI interface manual and remote switch. The switch to 2 HDMI output to a TV or monitor through 8 HDMI input switch, 8 picture free switching, Audio and video synchronization with audio separation function. Suitable for HDMI interface equipment, good compatibility.

Features

- 8 way HDMI input switch to 2 way HDMI output;
- Support 1080p, 3D, 4kx2k;
- Any HDMI signal source can be separated from the optical fiber, coaxial and analog audio output;
- Can output four modes pass, 2.0ch, 2.1CH, 5.1ch;
- Support arc function (TV with arc function);
- Support power off memory function;
- LED indicator light;
- Infrared extended interface 3.5mm;
- Audio interface 3.5mm stereo;
- Port support button switch, remote control switch and RS232;
- External power.

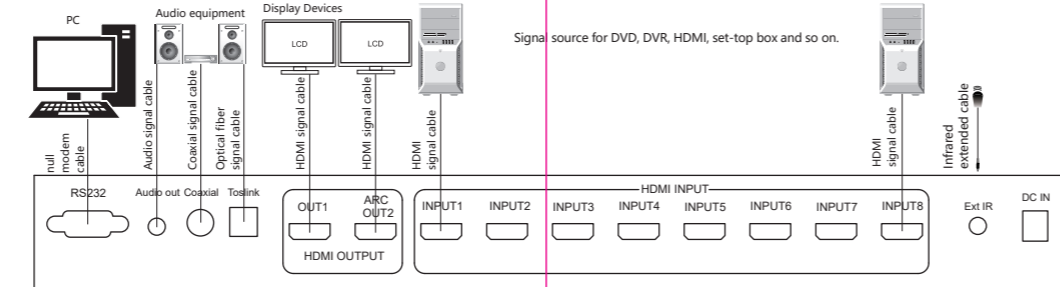
(To prevail in kind)

Introduction of the front and rear panels



- ① INPUT 1~8 -----1~8 Signal input indicator light
- ② OUTPUT 1~2-----1~2 Signal output indicator light
- ③ IR-----Infrared remote control receiver
- ④ Power-----Power light
- ⑤ ARC-----Audio return indicator light
- ⑥ 2.1CH-----2.1 Channel indicator light
- ⑦ 5.1CH-----5.1 Channel indicator light
- ⑧ PASS-----PASS Channel indicator light
- ⑨ Power-----Standby button
- ⑩ Switch---Signal input selection button
- ⑪ ARC-----Arc button
- ⑫ Audio-----Audio mode button
- ⑬ EDID-----EDID button
- ⑭ RS232-----RS232 control interface
- ⑮ Audio out-----3.5mm analog 2 channel output interface
- ⑯ Coaxial-----Coaxial output interface
- ⑰ Toslink-----Optical fiber output interface
- ⑱ OUT1-----HDMI output 1
- ⑲ ARC OUT2-----HDMI output 2 (ARC function)
- ⑲ HDMI INPUT-----HDMI input interface
- ⑳ Ext IR-----Infrared adapter interface
- ㉑ DC IN-----Power input interface

Connection Diagram



技术参数和产品规格

视频	
最高数据速率	1.4版: 10.2Gbps (每色3.4Gbps)
	1.3版: 6.75Gbps (每色2.5Gbps)
最高像素时钟	340MHz (1.3版225MHz)
分辨率范围	24/50/60Fs/1080P/1080i/720P/576i
	/480P/480i(24/30/2160P 1.4版支持)
信号标准	HDMI
静电保护	8KV
视频输入输出	
数量/信号类型	输入×8、输出×2/HDMI
输入输出	使用24AWG HDMI 标准线缆,输入传输距离可达10米,输出传输距离可达10米
线缆长度	
音频	
音频格式	2.0/2.1/5.1/LPCM7.1/DTS/DOLBY-AC3/DSD/DTS-HD/Dolby-trueHD
输入输出	0.5-1.5Vp-p(TTL)
输入输出	5Vp-p(TTL)
DDC信号	
支持视频色深	24/30/36位色深
工作温度	0~40°C
工作湿度范围	5~85% RH (无冷凝)
电源适配器规格	交流输入:100V~240V (50 /60Hz), 直流输出:12V-2A
产品尺寸	400×118×45(mm)
产品重量	1200g

Technical parameters and product specifications

Video	
Highest Data Rate	1.4v: 10.2Gbps (3.4Gbps per color)
	1.3v: 6.75Gbps (2.5Gbps per color)
Data Rate	340MHz (1.3v 225MHz)
Resolutions	24/50/60Fs/1080P/1080i/720P/576i
	/480P/480i(24/30/2160P 1.4 version model)
Signal Standard	HDMI
ESD	8KV
Video input/output	
Number/type of signal	Input×8, output×2/HDMI
Input/output cable length	≤10 meter (standard 24AWG HDMI cable)
Input/output cable length	
Audio	
Audio formats	2.0/2.1/5.1/LPCM7.1/DTS/DOLBY-AC3/DSD/DTS-HD/Dolby-trueHD
Input and output	0.5-1.5Vp-p(TTL)
Input and output	5Vp-p(TTL)
DDC signal	
Support video color depth	24/30/36 bit color depth
Working temperature	0~40°C
Operating humididy	5~85%RH (no-condensaing)
The power adapter specification	AC input: 100V~240V(50 /60Hz), DC output: 12V-1A
Product size	400×118×45(mm)
Product weight	1200g

包装清单

序号	部件	数量
1	切换器	1
2	电源适配器12V-2A	1
3	红外接收延长线	1
4	遥控器	1
5	保修卡	1
6	使用手册	1
7	机架扣	2

安全使用须知:

为确保设备可靠使用及人员的安全，请在安装、使用和维护时，请遵守以下事项：

- 请勿在下列场所使用本产品：有灰尘、油烟、导电性尘埃、腐蚀性气体、可燃性气体的场所；暴露于高温、结露、风雨的场合；有振动、冲击的场合。电气火灾、误操作也会导致产品损坏和恶化；
- 避免带电状态进行接线、插拔电缆插头，否则容易导致电击，或导致电路损坏；
- 安装和接线必须牢固可靠，接触不良可能导致误操作；
- 本产品通过电源线的接地导线接地，为避免电击，必须将接地导线与大地相连，在对本产品的输入端或输出端进行连接之前，请务必将本产品正确接地；
- 必须将外部电源全部切断后，才能进行安装、接线等操作，否则可能引起触电或设备损坏；
- 在下列情况下，请立即断开电源，并与公司联系：
 1. 设备进水；
 2. 设备摔坏或机壳破裂；
 3. 设备工作异常或展示的性能已完全改变；
 4. 设备产生气味、烟雾或噪音。
- 请不要自己修理设备，除手册中有明确指示外。

Packing List

No.	Parts	Qty
1	Switch	1
2	Power Adapter 12V-2A	1
3	Infrared receiver extension cable	1
4	Remote control	1
5	User manual	1
6	Frame buckle	2

The matters needing attention of installation

In order to ensure the reliable performance of the equipment and the safety of the user, please observe the following matters during the process of installation, use and maintenance.

- Please do not use this product in the following places: the place of dust, soot and electric conductivity dust, corrosive gas, combustible gas; the place exposed to high temperature, condensation, wind and rain; the occasion of vibration and impact. Electric shock, fire, wrong operation can lead to damage and deterioration to the product, either;
- Should avoid wiring and inserting cable plug in charged state, otherwise it is easy to cause the shock, or electrical damage;
- The installation and wiring should be strong and reliable, contact undesirable may lead to false action;
- This product grounds by the grounding wires. To avoid electric shocks, grounding wires and the earth must be linked together. Before the connection of input or output terminal, please make sure this product is correctly grounded;
- Only after cutting down all external power source, can install, wiring operation begin, or it may cause electric shock or equipment damage;
- Please do not dismantle the equipment, avoid damaging the internal electrical component.