

USB单网线延长器用户手册

特别提示

在使用本产品之前, 请务必先仔细阅读本使用说明书。
 请务必妥善保管好本书, 以便日后能随时查阅。
 请在充分理解内容的基础上, 正确使用。
 本公司保留对产品进行更改的权利, 由于技术更新产品参数变化恕不另行通知。

概述

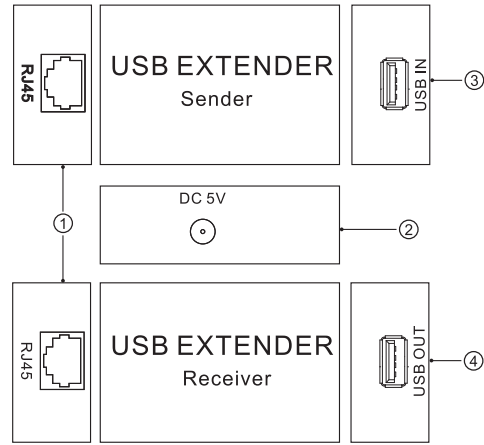
本产品是由两个独立的单元: 本地(Sender)和远程(Receiver)组成。传输介质采用CAT5E/CAT6双绞线连接(与以太网中使用的相同的线序)。不需要额外安装软件。使用CAT6双绞线时Sender与Receiver单元距离最远可达60米。是用于延伸键盘、鼠标、手写板和游戏控制器等USB设备的理想设备。

产品特点

- 一条CAT5E/CAT6线可以替代USB线从而达到长距离的传输;
- 使用CAT6线可使传输距离达到60米;
- 兼容USB 1.1;
- 支持所有主要的操作系统: Windows, Mac OS X, linux;
- 支持任何全速 (12 Mbps) 或低速 (1.5 Mbps) 的USB设备;
- 无需安装任何驱动程序即可使用;
- 支持热插拔功能, 即插即用;
- 安装简单。

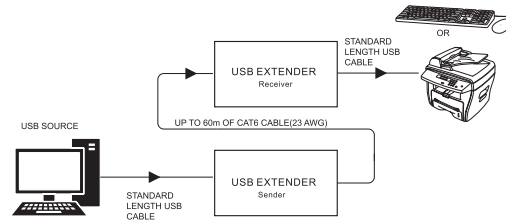
(以产品实物为准)

面板介绍



- ① RJ45-----网络接口; 用于连接CAT5E/CAT6线缆;
- ② DC 5V-----电源; 外部5V直流电源供电;
- ③ USB IN-----USB信号输入接口; 连接电脑/硬盘录像机等;
- ④ USB OUT-----USB信号输出接口; 用于连接键盘、鼠标、手写板和游戏控制器等USB设备。

连接示意图



技术参数

输入USB接口	-----USB-F
输出USB接口	-----USB-F
兼容USB版本	-----USB 1.1 and USB 2.0
网线接法	-----IEEE-568B
最远传输距离	-----≤60m AWG23 CAT6 standard cable
输入线缆长度	-----≤5m AWG23 USB standard cable
输出线缆长度	-----≤5m AWG23 USB standard cable
传输速率	-----12Mbps
电源适配器规格	-----交流输入 (50/60Hz) :100V~240V, 直流输出: 5V/1A
工作温度	-----0~40°C
工作湿度范围	-----5~85%RH (无冷凝)
发射端尺寸	-----63×43×21(mm)
发射端重量	-----380g
接收端尺寸	-----63×43×21(mm)
接收端重量	-----380g

配件清单

序号	名称	数量	备注
1	产品主机延长器 (发射端&接收端)	1套	
2	用户手册	1份	
3	保修卡	1份	

安全使用须知

为确保设备可靠使用及人员的安全, 请在安装、使用和维护时, 请遵守以下事项:

- 请勿在下列场所使用本产品: 有灰尘、油烟、导电性尘埃、腐蚀性气体、可燃性气体的场所; 暴露于高温、结露、风雨的场所; 有振动、冲击的场所。电击、火灾、误操作也会导致产品损坏和恶化;
- 避免带电状态进行接线、插拔电缆插头, 否则容易导致电击, 或导致电路损坏;
- 安装和接线必须牢固可靠, 接触不良可能导致误操作;
- 本产品通过电源线的接地导线接地, 为避免电击, 必须将接地导线与大地相连, 在对本产品的输入端或输出端进行连接之前, 请务必将本产品正确接地;
- 必须将外部电源全部切断后, 才能进行安装、接线等操作, 否则可能引起触电或设备损坏;
- 在下列情况下, 请立即断开电源, 并与公司联系:
 1. 设备进水;
 2. 设备摔坏或机壳破裂;
 3. 设备工作异常或展示的性能已完全改变;
 4. 设备产生气味、烟雾或噪音。
- 请不要自己修理设备, 除手册中有明确指示外。

USB Extender User Manual

Special Notification

Before using this product, please read this manual carefully.
 Please keep this manual for future reference.
 The company may change the fuction of product without notice.

Summary

This Item is made by two single unit---Sender and Receiver. Tansmission by CAT5E/CAT6 UTP cable(same line orders with ethernet). No need extra install software. The max distance between Sender and Receiver can reach 60 meters when using CAT6 UTP cable.

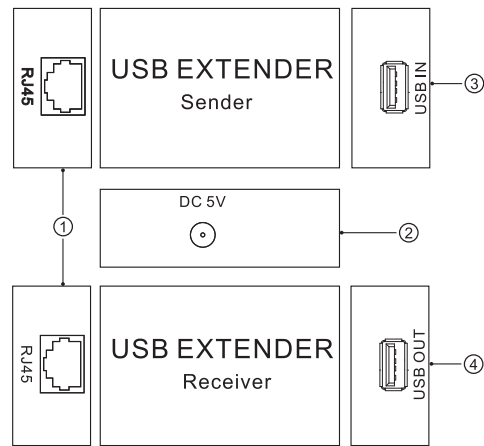
It is an ideal product to extend keyboard, mouse, wriing pad and game controller, etc. USB devices.

Features

- One CAT5E/CAT6 cable can extend USB cable to long distance;
- Using CAT6 cable can transmit up to 60 meters;
- Compliant with USB 1.1 and compatible with USB 2.0;
- Type of operating system intalled (e.g. Windows XP, Mac OS X, Windows 7 etc);
- Supports data transfer rates up to 12Mbps;
- Plug and play, no driver installation needed;
- Support hot swap function, plug and play;
- Simple installation.

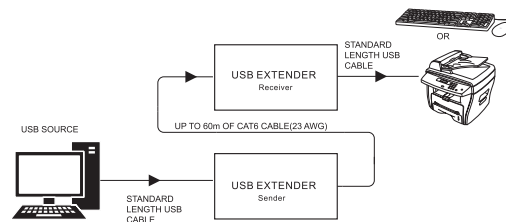
(To prevail in kind)

Introduction of the front and rear panels



- ① RJ45-----Network interface; Connect CAT5E/CAT6 cable;
- ② DC 5V-----Power interface; Support DC5V input;
- ③ USB IN-----USB Signal input interface; Connect the computer and DVR;
- ④ USB OUT-----USB Signal output interface; Used to connect the keyboard, the mouse, the handwriting board, and the game controller, etc. USB equipment.

Connection Diagram



Technical Parameters

USB input interface	-----USB-F
USB output interface	-----USB-F
Compatible with USB version	-----USB 1.1 and USB 2.0
Wiring method	-----IEEE-568B
Maximum working corent	-----≤60m AWG23 CAT6 standard cable
Input cable distance	-----≤5m AWG23 USB standard cable
Output cable distance	-----≤5m AWG23 USB standard cable
Supports data transfer rates	-----12Mbps
The power adapter specification	-----AC input: (50 /60HZ):100V~240V DC output: 5V/1A
Operating temperature range	-----0~40°C
Operating humidity range	-----5~85%RH(No Condensation)
Sender dimension(L×W×H)	-----63×43×21(mm)
Sender weight	-----380g
Receiver dimension(L×W×H)	-----63×43×21(mm)
Receiver weight	-----380g

Packing List

No.	Name	Qty	Remark
1	Extender (sender&receiver)	1set	
2	Manual	1pc	

The matters needing attention of installation

In order to ensure the reliable performance of the equipment and the safety of the user, please observe the following matters during the process of installation, use and maintenance.

- Please do not use this product in the following places: the place of dust, soot and electric conductivity dust, corrosive gas, combustible gas; the place exposed to high temperature, condensation, wind and rain; the occasion of vibration and impact. Electric shock, fire, wrong operation can lead to damage and deterioration to the product, either;
- Should avoid wiring and inserting cable plug in charged state, otherwise it is easy to cause the shock, or electrical damage;
- The installation and wiring should be strong and reliable, contact undesirable may lead to false action;
- This product grounds by the grounding wires. To avoid electric shocks, grounding wires and the earth must be linked together. Before the connection of input or output terminal, please make sure this product is correctly grounded;
- Only after cutting down all external power source, can install, wiring operation begin, or it may cause electric shock or equipment damage;
- Please do not dismantle the equipment, avoid damaging the internal electrical component.