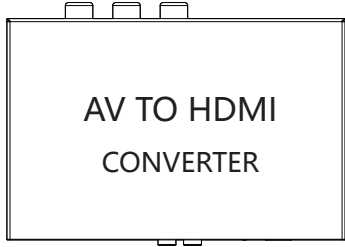


AV/S-VIDEO 转HDMI 转换器用户手册

特别提示

在使用本产品之前, 请务必先仔细阅读本使用说明书。
 请务必妥善保管好本书, 以便日后能随时查阅。
 请在充分理解内容的基础上, 正确使用。
 本公司保留对产品进行更改的权利, 由于技术更新产品参数变化恕不另行通知。

产品外观

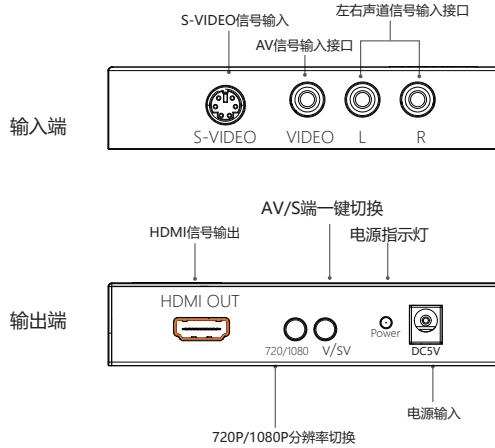


产品功能

- 1、即插即用, 无需安装任何软件, 使用方便
- 2、AV 与S-VIDEO 输入, HDMI 输出
- 3、模拟音频输入, 数字音频输出与视频同步输出。
- 4、AV 与S-VIDEO 输入, 720P/1080P 一键切换, 方便快捷。

(以产品实物为准)

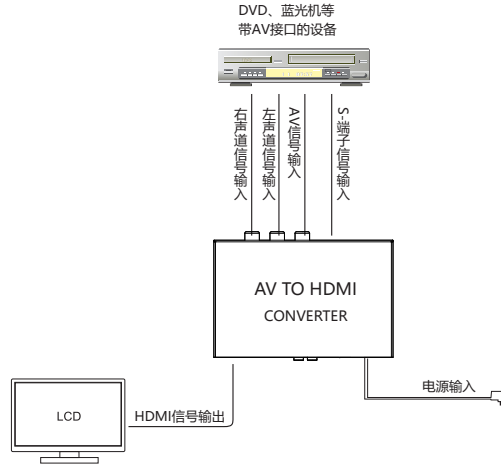
接口说明



技术参数

AV(CVBS) 输入	自动识别NTSC/PAL制式, 1.0VP-P匹配阻抗75Ω
S-VIDEO 输入	Y:1.0vp-p 匹配阻抗5Ω, C:0.6Vp-p匹配阻抗 75Ω
HDM输出信号	720P@60Hz,1080p@60Hz
HDMI 信号	完全兼容 HDCP
电源	DC5V/1A

连接示意图



配件清单

序号	名称	数量	备注
1	产品主机	1	
2	电源适配器	1	
3	用户手册	1	
4	保修卡	1	

安全使用须知

为确保设备可靠使用及人员的安全, 请在安装、使用和维护时, 请遵守以下事项:

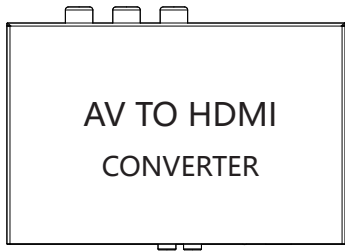
- 请勿在下列场所使用本产品: 有灰尘、油烟、导电性尘埃、腐蚀性气体、可燃性气体的场所; 暴露于高温、结露、风雨的场合; 有振动、冲击的场合。电击、火灾、误操作也会导致产品损坏和恶化;
- 避免带电状态进行接线、插拔电缆插头, 否则容易导致电击, 或导致电路损坏;
- 安装和接线必须牢固可靠, 接触不良可能导致误操作;
- 本产品通过电源线的接地导线接地, 为避免电击, 必须将接地导线与大地相连, 在对本产品的输入端或输出端进行连接之前, 请务必将本产品正确接地;
- 必须将外部电源全部切断后, 才能进行安装、接线等操作, 否则可能引起触电或设备损坏;
- 在下列情况下, 请立即断开电源, 并与公司联系:
 1. 设备进水;
 2. 设备摔坏或机壳破裂;
 3. 设备工作异常或展示的性能已完全改变;
 4. 设备产生气味、烟雾或噪音。
- 请不要自己修理设备, 除手册中有明确指示外。

AV/S-VIDEO To HDMI Converter User Manual

Special Notification

Before using this product, please read this manual carefully.
 Please keep this manual for future reference.
 The company may change the fuction of product without notice.

Appearance

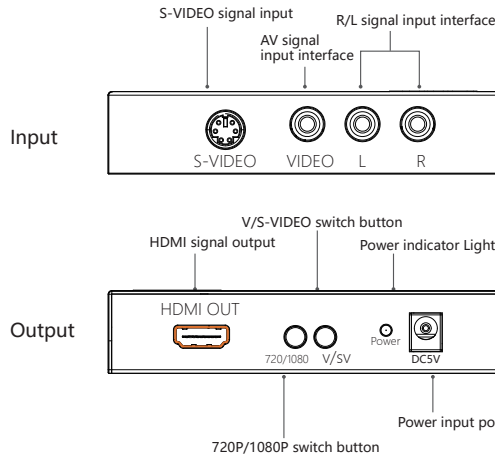


Product Function

1. Plug and play doesn't need any driver;
2. AV and S-VIDEO input , HDMI output;
3. Analog audio input , digital audio and video sync output;
4. AV and S-VIDEO input , 720P/1080P easy switch.

(To prevail in kind)

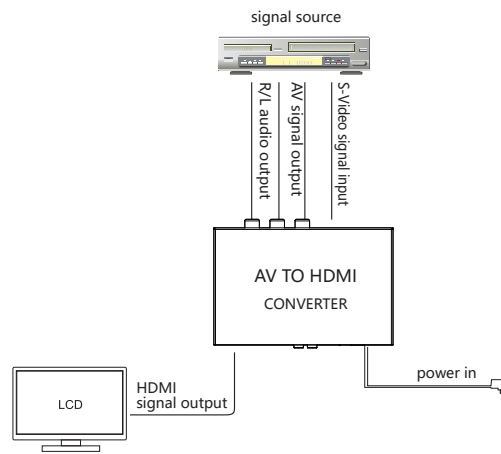
Interface Specification



Technical Parameters

AV(CVBS) input	NTSC/PAL automatic recognition
S-VIDEO input	Y:1.0vp-p support 75Ω, C:0.6Vp-p support 75Ω
HDMI output signal	720P@60Hz,1080p@60Hz
HDMI signal	compatible with HDCP
Power	DC5V/1A

Connection Diagram



Packing List

No.	Name	Qty	Remark
1	Product host	1	
2	Power adapter	1	
3	Manual	1	

The matters needing attention of installation

In order to ensure the reliable performance of the equipment and the safety of the user, please observe the following matters during the process of installation, use and maintenance.

- Please do not use this product in the following places: the place of dust, soot and electric conductivity dust, corrosive gas, combustibile gas; the place exposed to high temperature, condensation,wind and rain; the occasion of vibration and impact. Electric shock, fire, wrong operation can lead to damage and deterioration to the product, either;
- Should avoid wiring and inserting cable plug in charged state, otherwise it is easy to cause the shock, or electrical damage;
- The installation and wiring should be strong andreliable, contact undesirable may lead to false action;
- This product grounds by the grounding wires. To avoid electric shocks, grounding wires and the earth must be linked together. Before the connection of input or output terminal, please make sure this product is correctly grounded;
- Only after cutting down all external power source, can install, wiring operation begin, or it may cause electric shock or equipment damage;
- Please do not dismantle the equipment, avoid damaging the internal electrical component.