

100米HDMI单网线延长器

用户手册

特别提示

- ※ 在使用本产品之前，请务必先仔细阅读本使用说明书。
- ※ 请务必妥善保管好本书，以便日后能随时查阅。
- ※ 请在充分理解内容的基础上，正确使用。
- ※ 本公司保留对产品进行更改的权利，由于技术更新产品参数变化恕不另行通知。

概述

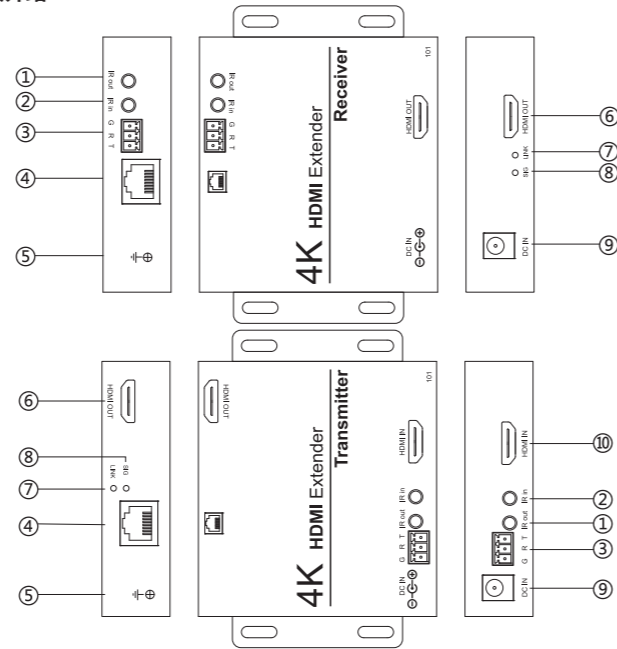
HDMI数字视频双绞线传输器通过单根CAT5e/6双绞线传输高清视频1080P到100m。并且能够同时传输双向RS-232，双向红外信号。它支持分辨率高达4K的视频信号，包括1080p/60色深。发送器配备了一个HDMI环通输出，可用于扩展或者监视输入的HDMI信号。HDMI数字传输器是一款传输HDMI信号源，为信号源设备与显示设备提供远距离视频传输、双向控制提供低成本解决方案。

产品特点

- 可通过单根CAT5e/6电缆传输HDMI信号；
- 支持双向红外、双向RS232传输；
- 支持HDMI输入，兼容DVI1.0；
- 发送器支持HDMI监视输出；
- 内置POE远程供电模块（选配功能）；
- 支持视频、IR、RS232同时传输，CAT5e/6网线最大传输距离达到100米；
- 支持分辨率高达4K的计算机和视频信号，包括1080P/60色深。

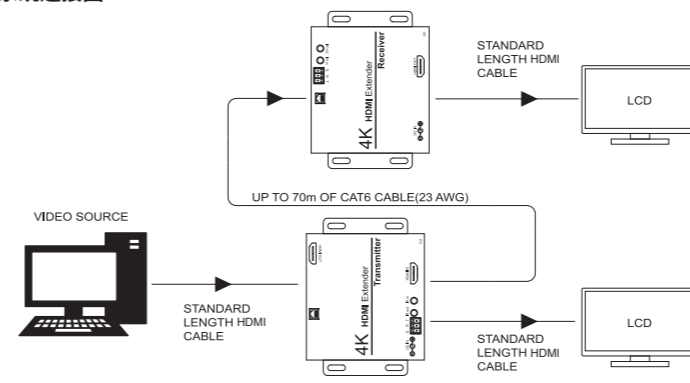
(以产品实物为准)

面板介绍



- ①IR OUT----红外输出；
- ②IR IN-----红外输入；
- ③GRT-----RS232信号；两端波特率设置成一致，波特率范围从110bps~115200bps；
- ④CAT5e/6网络传输接口采用RJ45接口，用于远距离传输HD高清信号；
- ⑤外壳地----连接外壳；连接到大地；
- ⑥HDMI OUTPUT----视频信号输出接口；用于连接显示器等设备；
- ⑦LINK-----连接指示灯；连接HD高清信号后灯长亮；
- ⑧SIG-----工作指示灯；工作后闪烁；
- ⑨DC IN ----电源；外部12V直流电源供电；
- ⑩HDMI INPUT-----视频信号输入接口；用于连接PC等设备。

系统连接图



产品规格

- 输入/输出HDMI分辨率-----Up to 2560×1600@60 Hz or 4K (4096×2160) @ 24 Hz, UHD (3840×2160)@30 Hz, 4K/UHD@60Hz/24bpp with 4:2:0 pixel format
- 最高数据速率-----10.2 Gbps(每色3.4Gbps)
- 传输距离-----1080P@60Hz Up to 100m; 4K/UHD@30Hz and 60Hz Up to 70m; 使用CAT5e/6双绞电缆要求24AWG或更好
- 视频输入线缆长度-----≤10m AWG26 HDMI standard cable
- 视频输出线缆长度-----≤10m AWG26 HDMI standard cable
- 串口控制-----RS232(110-115200bps)
- 红外频率-----38KHz
- 最大工作电流-----500mA
- 电源适配器规格-----交流输入(50/60Hz): 100V-240V, 直流输出: 12V/2A
- 工作温度-----0~40°C
- 工作湿度范围-----5~85%RH(无冷凝)
- 发射端尺寸-----90×84×24mm
- 发射端重量-----200g
- 接收端尺寸-----90×84×24mm
- 接收端重量-----200g

100M HDMI Single Cable Extender User Manual

Special Notification

Before using this product, please read this manual carefully. Please keep this manual for future reference. The company may change the fuction of product without notice.

Overview

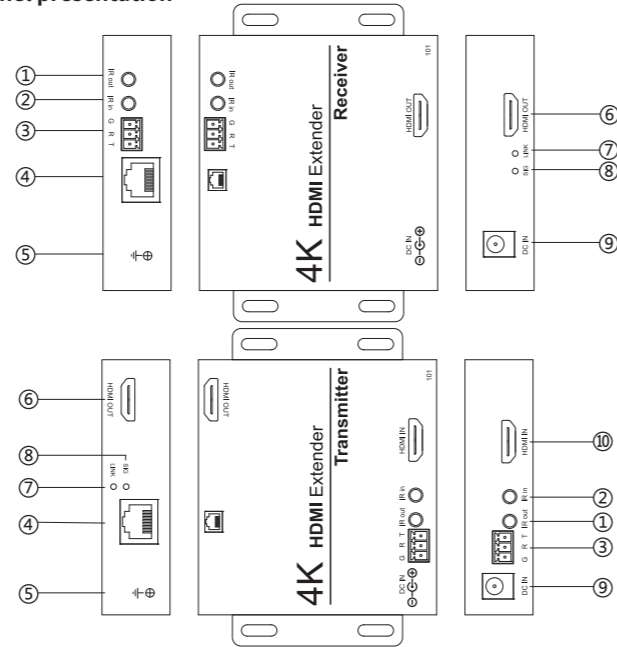
HDMI digital video double stranded cable transporter is transmitted in high definition video 1080P to 100m by single CAT5e/6 double stranded cable. And it can transmit two-way rs-232, two-way infrared signal. It supports video signals with a high resolution of 4K, including 1080p/60 dark. The transmitter is equipped with a HDMI loop output that can be used to extend or monitor input HDMI signals. HDMI digital transmitter is a perfect transmission of HDMI signal source, providing a low cost solution for signal source equipment and display equipment with remote video transmission and bidirectional control.

Features

- HDMI signals can be transmitted over a single CAT5e/6 cable;
- Support two-way infrared, two-way RS232 transmission;
- Support HDMI input compatible with DVI1.0;
- Transmitter supports HDMI monitoring output;
- Built-in POE remote power supply module (optional);
- Support video, IR, RS232 simultaneous transmission, CAT5e/6 cable maximum transmission distance of 100M;
- Supports computer and video resolutions up to 4K, including 1080p/60 color depth.

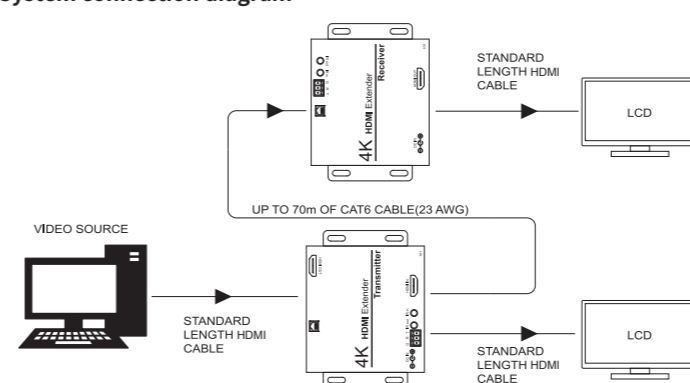
(To prevail in kind)

Panel presentation



- ①IR OUT----Infrared output
- ②IR IN-----Infrared input
- ③G R T-----RS232 signal; both ends are set to a consistent baud rate, and baud rate ranges from 110bps to 115200bps;
- ④CAT5e/6 network transmission interface adopts RJ45 interface, which is used to transmit HD Signal at long distance;
- ⑤Ground hole(electricity)-----connect the enclosure and ground.
- ⑥HDMI OUTPUT--Video signal output interface; used to connect monitors and other devices;
- ⑦LINK-----Connect indicator lights, after connect the HD Signal keep brighting
- ⑧SIG-----Work indicator light; flashing after work;
- ⑨DC IN-----Power supply; external 12V DC power supply;
- ⑩HDMI INPUT--Video signal input interface; used to connect PC and other devices;

System connection diagram



Product specification:

- Input / output HDMI resolution -----Up to 2560×1600@60 Hz or 4K (4096×2160)@24 Hz, UHD (3840×2160)@30 Hz, 4K/UHD@60 Hz/24bpp with 4:2:0 pixel format
- Maximum data rate-----10.2 Gbps(3.4 Gbps per color)
- Transmission distance-----1080p@60Hz Up to 100m; 4K/UHD@30Hz and 60Hz Up to 70m; The use of CAT5e/6 twisted pair cable requirements of 24AWG or better
- Length of video input cable-----≤10m AWG26 HDMI standard cable
- Length of video output cable-----≤10m AWG26 HDMI standard cable
- Serial port control-----RS232(110-115200bps)
- Infrared frequency-----38KHz
- Maximum operating current-----500mA
- Power adapter specification-----AC input: 100V~240V(50 /60HZ), DC output: 12V-1A
- Working temperature-----0~40°C
- Working humidity range-----5~85%RH(none-condensation)
- TX dimension-----90×84×24(mm)
- TX weight-----200g
- RX dimension-----90×84×24(mm)
- RX weight-----200g

包装清单

序号	部件	数量	备注
1	产品主机（发射端和接收端）	1套	
2	电源适配	2个	
3	用户手册	1份	

安全使用须知

为确保设备可靠使用及人员的安全，请在安装、使用和维护时，请遵守以下事项：

- 请勿在下列场所使用本产品：有灰尘、油烟、导电性尘埃、腐蚀性气体、可燃性气体的场所；暴露于高温、结露、风雨的场合；有振动、冲击的场合。电击、火灾、误操作也会导致产品损坏和恶化；
- 避免带电状态进行接线、插拔电缆插头，否则容易导致电击，或导致电路损坏；
- 安装和接线必须牢固可靠，接触不良可能导致误操作；
- 本产品通过电源线的接地导线接地，为避免电击，必须将接地导线与大地相连，在对本产品的输入端或输出端进行连接之前，请务必将本产品正确接地；
- 必须将外部电源全部切断后，才能进行安装、接线等操作，否则可能引起触电或设备损坏；
- 在下列情况下，请立即断开电源，并与公司联系：
 1. 设备进水；
 2. 设备摔坏或机壳破裂；
 3. 设备工作异常或展示的性能已完全改变；
 4. 设备产生气味、烟雾或噪音。
- 请不要自己修理设备，除手册中有明确指示外。

Packing List

NO.	Name	Qty	Remark
1	Product machine (TX & RX)	1SET	
2	Power adapter	2PC	
3	User manual	1PC	

The matters needing attention of installation

In order to ensure the reliable performance of the equipment and the safety of the user, please observe the following matters during the process of installation, use and maintenance.

- Please do not use this product in the following places: the place of dust, soot and electric conductivity dust, corrosive gas, combustible gas; the place exposed to high temperature, condensation, wind and rain; the occasion of vibration and impact. Electric shock, fire, wrong operation can lead to damage and deterioration to the product, either;
- Should avoid wiring and inserting cable plug in charged state, otherwise it is easy to cause the shock, or electrical damage;
- The installation and wiring should be strong and reliable, contact undesirable may lead to false action;
- This product grounds by the grounding wires. To avoid electric shocks, grounding wires and the earth must be linked together. Before the connection of input or output terminal, please make sure this product is correctly grounded;
- Only after cutting down all external power source, can install, wiring operation begin, or it may cause electric shock or equipment damage;
- Please do not dismantle the equipment, avoid damaging the internal electrical component.