

# HDMI 接口KVM切换器用户手册

## 特别提示

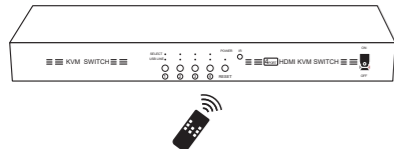
在使用本产品之前，请务必先仔细阅读本使用说明书。  
请务必妥善保管好本书，以便日后能随时查阅。

请在充分理解内容的基础上，正确使用。

本公司保留对产品进行更改的权利，由于技术更新产品参数变化恕不另行通知。

## 产品外观

(以4口为例)



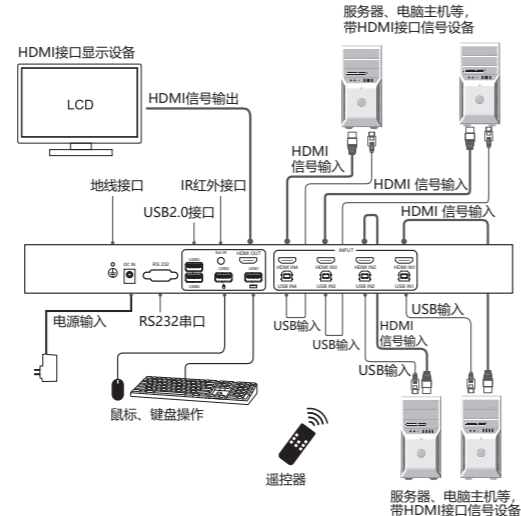
## 产品特点

- 支持USB1.1和2.0;
- HDMI接口分辨率最高 4Kx2K 30Hz;
- 支持端口插入扫描和断电记忆功能;
- 支持Windows,Mac,Linux系统;
- 无需安装驱动，可以通过热键、面板按键、红外遥控、RS232代码切换选择需要操作的电脑主机;
- 显示监控状态的LED指示灯;
- 无需关闭设备电源，通过从端口插入和拔出线缆，即可卸除和向装置添加部件;
- 适用于电脑、硬盘录像机等。

(以产品实物为准)

## 连接示意图

(以4口为例)



注：USB1/2 (Ⓜ) 接口只可接鼠标键盘，  
USB3/4接口可接U盘、打印机等设备。

## 使用说明

- 请在开机前确保所有电缆线连接正确。
- 清理或长时间不使用时，请拔掉电源插头。
- 请使用该产品的专用电源适配器，并在适配器标注的电源范围内使用。
- 工作温度：0~40℃，工作湿度：5~85%RH（无冷凝）。

## 操作方法

- 1、按连接示意图正确连接信号源和显示设备，操作键盘鼠标；
- 2、切换方式：面板按键切换，键盘热键切换，红外遥控切换，RS232代码切换。

## 键盘热键

- ① 按住 Win，双击Scroll Lock键，松开 Win，再按相应工作模式热键，同时切换器发出“滴”一声。
- ② 3秒内输入热键命令即可对KVM完成相关动作。

+ + + **1~8** 直接选择端口

注：数字键为小键盘按键，4口切换器为1~4键，2口切换器为1~2键。

+ + + **I** + 5~999秒 + 扫描时间设置

注：默认扫描时间是5秒。

+ + + **S** 自动扫描

注：按面板按键或键盘任意键退出。

+ + + **B** + 1/0 蜂鸣器声音开/关

注：0关闭，1开启。

## 性能参数

输出接口	HDMI高清视频接口、USB1.1/2.0鼠标键盘接口
输入接口	2/4/8路HDMI高清视频接口、2/4/8路USB方口
切换方式	按键切换、键盘热键、遥控器切换、RS232代码切换
USB键盘鼠标	USB1/2接口接键盘鼠标，USB3/4接口接U盘打印机等
自动扫描间隔	默认5秒 (时间5~999 seconds可调整)
分辨率范围	24/50/60Fs/1080P/1080i/720P/576i/480P/480i (24/30/2160P 1.4版支持)
频率带宽	3.4GHz
电源	DC 12V/1A
外壳	铁壳
规格	2口:180×69×31mm 4/8口:430×110×45mm
重量	2口 KVM 0.4KG / 4口 KVM 1.2KG / 8口 KVM 1.4KG

## 配件清单

序号	名称	数量	备注
1	KVM切换器	1	
2	遥控器	1	
3	电源适配器	1	
4	用户手册	1	
5	保修卡	1	
6	机架扣	2	
7	USB2.0线	2/4/8	2口配2条线，4口配4条线，8口配8条线。
8	HDMI线	2/4/8	2口配2条线，4口配4条线，8口配8条线。

## 安全使用须知

为确保设备可靠使用及人员的安全，请在安装、使用和维护时，请遵守以下事项：

■ 请勿在下列场所使用本产品：有灰尘、油烟、导电性尘埃、腐蚀性气体、可燃性气体的场所；暴露于高温、结露、风雨的场合；有振动、冲击的场合。电击、火灾、误操作也会导致产品损坏和恶化；

■ 避免带电状态进行接线、插拔电缆插头，否则容易导致电击，或导致电路损坏；

■ 安装和接线必须牢固可靠，接触不良可能导致误操作；

■ 本产品通过电源线的接地导线接地，为避免电击，必须将接地导线与大地相连，在对本产品的输入端或输出端进行连接之前，请务必将本产品正确接地；

■ 必须将外部电源全部切断后，才能进行安装、接线等操作，否则可能引起触电或设备损坏；

■ 在下列情况下，请立即断开电源，并与公司联系：

1. 设备进水；
2. 设备摔坏或机壳破裂；
3. 设备工作异常或展示的性能已完全改变；
4. 设备产生气味、烟雾或噪音。

■ 请不要自己修理设备，除手册中有明确指示外。

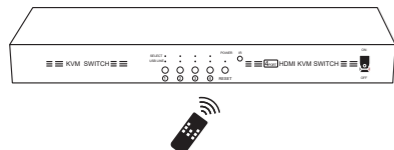
# HDMI-KVM Switch Manual

## Special Notification

Before using this product, please read this manual carefully.  
Please keep this manual for future reference.  
The company may change the fuction of product without notice.

## Appearance

(Take 4 port example)



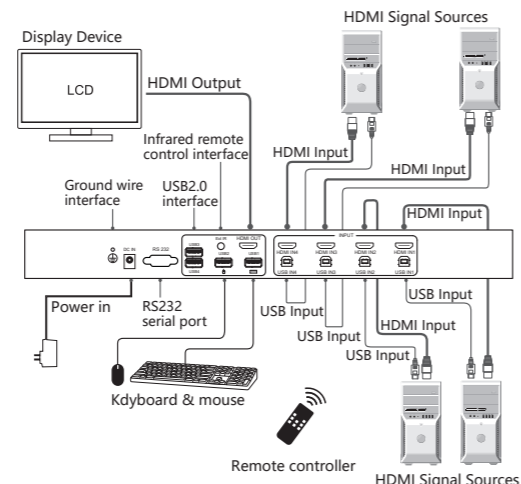
## Features

- Support USB1.1 and 2;
- The HDMI interface is the highest resolution 4Kx2K 30Hz;
- Supports port insertion, scanning, and power down memory;
- Support for Windows, Mac, Linux systems;
- No need to install any software, support control computer by hot key/button/remote control.
- USB port KVM switch.
- LED light shows work status.
- Support add or remove units over plug and play without shut off the switch.
- Apply to DVR, etc.

(To prevail in kind)

## Connection Diagram

(Take 4 port example)



Note:  
The USB1/2 (Ⓜ) interface can only be connected with the mouse keyboard,  
USB3/4 interface can connect U disk, printer and other equipment.

## Use Manual

- Make sure all cables are properly connected before turning.
- Please unplug when clean-up or long time no use.
- Please use the product-specific power adapter and use in the range of the adapter marked.
- Working Temperature: 0~40℃, Humidity: 5~85%RH(No condensation).

## Operation

1. Connect signal source, display device, keyboard and mouse correctly.
2. Switch mode: panel button switch, keyboard hotkey switch, infrared remote control switching, RS232 code switching.

## Hot Key

- ① Hold Win, double-click the Scroll Lock key, loosen Win, and press the corresponding working mode hotkey. At the same time, the switcher makes a "beep" sound.
- ② Enter the hotkey command within 3 seconds, you can complete the relevant action on the KVM.

+ + + **1~8** Direct select port

Note: The numeric key is small keyboard key, and the 4 switch is the 1~4 key.  
The 2 switch is the 1~2 key.

+ + + **I** + 5~999 sec + Scan time settings

Note: the Default scan time is 5 seconds.

+ + + **S** Automatic scanning

Note: press the panel key or keyboard to quit at will.

+ + + **B** + 1/0 Buzzer sound on / off

Note: 0 off, 1 open.

## Performance Parameter

Output Interface	HDMI HD video interface, USB1.1/2.0 mouse keyboard interface
Input Interface	2/4/8 HDMI Type A inputs 2/4/8 USB Type D inputs
Switch way	Key switch, keyboard hotkey, remote control switch, RS232 code switching
Keyboard mouse	USB1/2 interface keyboard and mouse, USB3/4 interface, U disk, printer and so on
Automatic scanning interval	Default 5 seconds (time 5~999 seconds adjustable)
Resolution	24/50/60Fs/1080P/1080i/720P/576i/480P/480i (24/30/2160P, compliant with HDMI 1.4, support)
Bandwidth	3.4GHz
Power	DC 12V/1A
Shell	Metal
Specification	2Port:180×69×31mm 4/8Port:430×110×45mm
Net Weight	2Port KVM 0.4KG/4Port KVM 1.2KG/8Port KVM 1.4KG

## Packing List

No.	Name	Qty	Remark
1	KVM switch	1	
2	Remote control	1	
3	Power adapter	1	
4	User manual	1	
5	Rack	2	
6	USB2.0 cable	2/4/8	2 Port with 2 lines, 4 Port with 4 lines, 8 Port with 8 lines
7	HDMI cable	2/4/8	2 Port with 2 lines, 4 Port with 4 lines, 8 Port with 8 lines

## The matters needing attention of installation

In order to ensure the reliable performance of the equipment and the safety of the user, please observe the following matters during the process of installation, use and maintenance.

■ Please do not use this product in the following places: the place of dust, soot and electric conductivity dust, corrosive gas, combustible gas; the place exposed to high temperature, condensation, wind and rain; the occasion of vibration and impact. Electric shock, fire, wrong operation can lead to damage and deterioration to the product, either;

■ Should avoid wiring and inserting cable plug in charged state, otherwise it is easy to cause the shock, or electrical damage;

■ The installation and wiring should be strong and reliable, contact undesirable may lead to false action;

■ This product grounds by the grounding wires. To avoid electric shocks, grounding wires and the earth must be linked together. Before the connection of input or output terminal, please make sure this product is correctly grounded;

■ Only after cutting down all external power source, can install, wiring operation begin, or it may cause electric shock or equipment damage;

■ Please do not dismantle the equipment, avoid damaging the internal electrical component.