

DVI分配器用户手册

特别提示

在使用本产品之前, 请务必先仔细阅读本使用说明书。
请务必妥善保管好本书, 以便日后能随时查阅。
请在充分理解内容的基础上, 正确使用。
本公司保留对产品进行更改的权利, 由于技术更新产品参数变化恕不另行通知。

产品简介

DVI分配器为多端口数字视频输出的信号分配器, 具有一路DVI视频输入, 多路DVI视频输出。在多媒体应用系统中, 往往需要多个数字显示终端显示同一DVI信号源的画面。如果为每一显示终端配置个DVI信号源, 这样既增加了系统成本, 又大大降低了系统的可靠性。DVI分配器专为解决这类工程问题而设计。DVI分配器可广泛用于所有需要进行DVI信号分配的领域: 军工、多媒体教学、电视电话会议、大屏幕显示、会展、金融、科研、气象等领域。

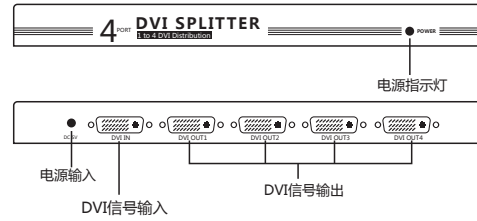
产品特点

1. 支持一路DVI信号输入, 2路/4路/8路/16路/24路/32路DVI信号输出;
2. 分辨率最高支持1080P/60Hz, 向下兼容;
3. 高速传输, 数据传输速率最高可达4.95Gbps, 无延迟, 不拖尾;
4. DVI信号: DVI-D;
5. 带宽频率: 25MHz-165MHz;
6. 输入最长支持20米, 输出最长支持20米(使用24AWG标准DVI-D规格的线缆);

(以产品实物为准)

接口说明

(以4口分配器为例)



性能参数

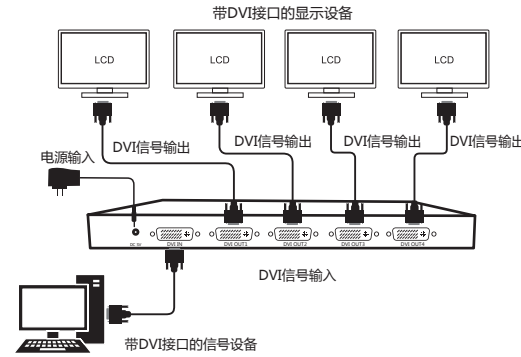
1. 输入接口-----DVI×1; 输出接口-----DVI×2/4/6/8/16/24/32
2. 输入DDC信号-----1.2伏特P-P (TTL)
3. 支持分辨率-----480i/480P, 720P, 1080i/1080P
4. DVI连接端口-----DVI-I 29母头(仅DVI-D数字信号)
5. DVI最大输入/输出距离-----15M/24AWG线; 电源: DC 5V 1A

配件清单

序号	名称	数量	备注
1	产品主机DVI分配器	1	
2	电源适配器	1	
3	用户手册	1	
4	保修卡	1	

连接示意图

(以4口分配器为例)



使用说明:

- 请在开机前确保所有电缆线连接正确。
- 清理或长时间不使用时, 请拔掉电源插头。
- 请使用该产品的专用电源适配器, 并在适配器标注的电源范围内使用。
- 工作温度: 0~40°C, 工作湿度范围: 5~85%RH(无冷凝)。

维护说明:

- 请勿在设备上放任何重物, 请将设备安放在牢固的地方。
- 请勿堵塞通风孔, 请将设备放在通风干燥的地方。
- 请勿把产品放在火热、寒冷、潮湿或有灰尘的地方使用或存储。

安全使用须知

为确保设备可靠使用及人员的安全, 请在安装、使用和维护时, 请遵守以下事项:

- 请勿在下列场所使用本产品: 有灰尘、油烟、导电性尘埃、腐蚀性气体、可燃性气体的场所; 暴露于高温、结露、风雨的场所; 有振动、冲击的场所。电击、火灾、误操作也会导致产品损坏和恶化;
- 避免带电状态进行接线、插拔电缆插头, 否则容易导致电击, 或导致电路损坏;
- 安装和接线必须牢固可靠, 接触不良可能导致误操作;
- 本产品通过电源线的接地导线接地, 为避免电击, 必须将接地导线与大地相连, 在对本产品的输入端或输出端进行连接之前, 请务必将本产品正确接地;
- 必须将外部电源全部切断后, 才能进行安装、接线等操作, 否则可能引起触电或设备损坏;
- 在下列情况下, 请立即断开电源, 并与公司联系:
 1. 设备进水;
 2. 设备摔坏或机壳破裂;
 3. 设备工作异常或展示的性能已完全改变;
 4. 设备产生气味、烟雾或噪音。
- 请不要自己修理设备, 除手册中有明确指示外。

DVI Splitter User Manual

Special Notification

Before using this product, please read this manual carefully. Please keep this manual for future reference. The company may change the fuction of product without notice.

Product Description

DVI Splitter is a kind of video splitter come with one DVI video input and multi-channel DVI video output. If configuration a terminal for each display a DVI signal source, it will enhance the system cost and greatly reduces the reliability of the system. electronic focus on solving this kind of problems and designed the dvi splitter DVI Splitter can be widely used inmilitary, multimedia, television and telephone conference, large screen display, exhibition, finance, research, meteorology and other fields.

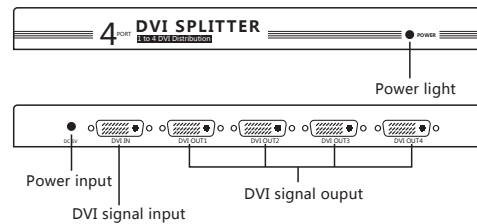
Features

1. Support 1x DVI input, 2/4/6/8/16/24/32x DVI.
2. Signal output.
3. Resolution up to 1080P/60Hz.
4. High speed transmission, the fastest transfer rate is 4.95 Gbps, no delay, no sluggish.
5. Support resolution: 24/50/60Hz@480i/480p.720i/720p.1080i/1080P.
6. DVI signal: DVI-D.

(To prevail in kind)

Interface Specification

(Take 4 port example)



Performance Parameters

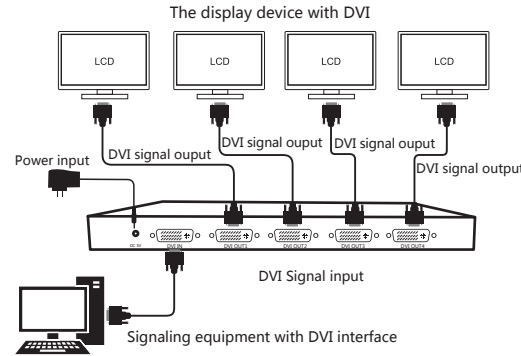
1. Input: DVI×1; Output: DVI×2/4/6/8/16/24/32.
2. Input DDC Signal: 1.2 volts p-p(TTL).
3. Support Resolution: 480i/480P, 720P, 1080i/1080P.
4. DVI Connect Interface: DVI-I 29 female(Only for DVI-D Digital signal).
5. Maximum Input/Output distance: 15M/24AWG cable.
6. Power: DC 5V/1A.

Packing List

No.	Name	Qty	Remark
1	Product DVI Splitter	1	
2	Power adapter	1	
3	User manual	1	

Connection Diagram

(Take 4 port for example)



Attention:

- Make sure all cables are properly connected before using.
- Please turn off the power when you not use it.
- Please use the dedicated AC Adapter for AC power, and use it within the scope of the power adapter marked.
- Operating temperature: 0~40°C,
- Working humidity range: 5~85%RH(No condensation).

Maintenance Instructions:

- Do not place any heavy objects on the device, place the device in a secure place.
- Do not block the vents, place the device in a dry and ventilated place.
- Do not place the product in hot, cold, humid or dusty places or storage.

The matters needing attention of installation

In order to ensure the reliable performance of the equipment and the safety of the user, please observe the following matters during the process of installation, use and maintenance.

- Please do not use this product in the following places: the place of dust, soot and electric conductivity dust, corrosive gas, combustible gas; the place exposed to high temperature, condensation, wind and rain; the occasion of vibration and impact. Electric shock, fire, wrong operation can lead to damage and deterioration to the product, either;
- Should avoid wiring and inserting cable plug in charged state, otherwise it is easy to cause the shock, or electrical damage;
- The installation and wiring should be strong and reliable, contact undesirable may lead to false action;
- This product grounds by the grounding wires. To avoid electric shocks, grounding wires and the earth must be linked together. Before the connection of input or output terminal, please make sure this product is correctly grounded;
- Only after cutting down all external power source, can install, wiring operation begin, or it may cause electric shock or equipment damage;
- Please do not dismantle the equipment, avoid damaging the internal electrical component.