

HDMI分配器用户手册

特别提示

- ※ 在使用本产品之前，请务必先仔细阅读本使用说明书。
- ※ 请务必妥善保管好本书，以便日后能随时查阅。
- ※ 请在充分理解内容的基础上，正确使用。
- ※ 本公司保留对产品进行更改的权利，由于技术更新产品参数变化恕不另行通知。

概述

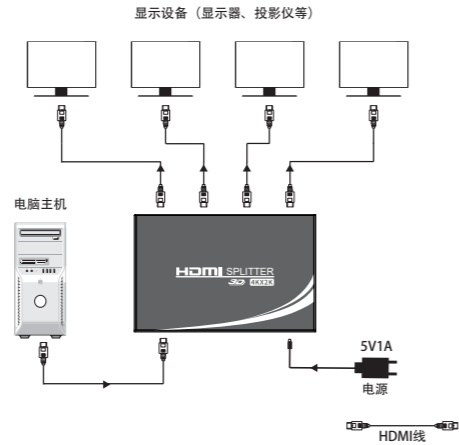
4PortHDMI分配器可将一路HDMI源信号可靠地分配至4个显示设备。4Port HDMI分配器支持HDMI参数标准，包括高达10.2Gbps的数据速率、12位的色深、3D、唇型同步和高清无损的音频格式。分配器支持4K*2K分辨率。4Port HDMI分配器非常适用于需要将一路HDMI信号源分配至4台显示设备的应用环境。

产品特点

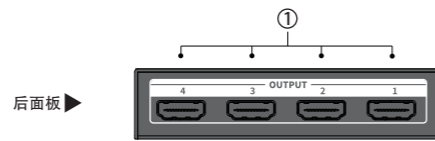
- 一路HDMI信号输入分配成四路HDMI信号输出；
- 最高支持4K*2K@30Hz分辨率输入输出；
- 兼容HDMI1.4;
- 支持3D视频格式；
- 支持24/30/36位色深；
- 支持 HDCP设备；
- 音频格式 LPCM7.1/DTS/DOLBY-AC3/DSD/DTS-HD/Dolby-trueHD.

(以产品实物为准)

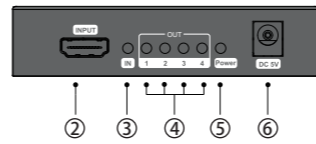
设备连接图



面板介绍



前面板



- ① HDMI输出端1/2/3/4: 使用HDMI传输线连接HDMI信号播放设备, 例如: 高质量电脑显示器或者屏幕。
- ② HDMI输入端: 使用HDMI传输线连接HDMI信号输出设备, 例如: 电脑、DVD、蓝光播放器、笔记本电脑等等。
- ③ HDMI输入端指示灯: 指示灯亮起表明HDMI输入端连接正确。
- ④ HDMI输出端1/2/3/4指示灯: 对应的HDMI指示灯亮起说明该接口的HDMI输出端已经连接正确。
- ⑤ 电源指示灯: 指示灯亮起表明电源适配器已连接正确。
- ⑥ 电源插孔: 插入包装里面的电源适配器连接至电源插孔。

操作说明

1. 通过一条HDMI线缆, 把HDMI信号源和分配器的输入口连接起来。
2. 通过HDMI线缆, 把分配器的输出端与显示器连接起来。
3. 连接电源。
4. 即可正常工作。

产品规格

输入接口	HDMI*1(母)
输出接口	HDMI*4(母)
HDMI视频输入分辨	480I, 480P, 576I, 576P, 720I, 720P, 1080I, 1080P, 4K
HDMI视频输出分辨	480I, 480P, 576I, 576P, 720I, 720P, 1080I, 1080P, 4K
兼容HDMI版本	HDMI 1.4
输入线缆长度	≤8m AWG24 HDMI standard cable
输出线缆长度	≤8m AWG24 HDMI standard cable
电源适配器规格	交流输入(50/60HZ):100V-240V,直流输出:5V/1A
工作温度	0~40℃
工作湿度范围	5~85%RH (无冷凝)
机器尺寸	96X62X23(mm)
机器重量	120g

配件清单

序号	名称	数量	备注
1	产品主机	1	
2	电源适配器/USB电源线	1	
3	用户手册	1	
4	保修卡	1	

安全使用须知

- 为确保设备可靠使用及人员的安全, 请在安装、使用和维护时, 请遵守以下事项:
- 请勿在下列场所使用本产品: 有灰尘、油烟、导电性尘埃、腐蚀性气体、可燃性气体的场所; 暴露于高温、结露、风雨的场合; 有振动、冲击的场合。电击、火灾、误操作也会导致产品损坏和恶化;
 - 避免带电状态进行接线、插拔电缆插头, 否则容易导致电击, 或导致电路损坏;
 - 安装和接线必须牢固可靠, 接触不良可能导致误操作;
 - 本产品通过电源线的接地导线接地, 为避免电击, 必须将接地导线与大地相连, 在对本产品的输入端或输出端进行连接之前, 请务必将本产品正确接地;
 - 必须将外部电源全部切断后, 才能进行安装、接线等操作, 否则可能引起触电或设备损坏;
 - 在下列情况下, 请立即断开电源, 并与公司联系:
 1. 设备进水;
 2. 设备摔坏或机壳破裂;
 3. 设备工作异常或展示的性能已完全改变;
 4. 设备产生气味、烟雾或噪音。
 - 请不要自己修理设备, 除手册中有明确指示外。

HDMI SPLITTER User Manual

Notice

- ※ Read this manual carefully before operating the product.
- ※ Keep the manual properly for future usage.
- ※ Please use it correctly on the basis of fully understanding the content.
- ※ The company reserves the right to make changes in the hardware, packaging and any accompanying documentation without prior written notice.

Introduction

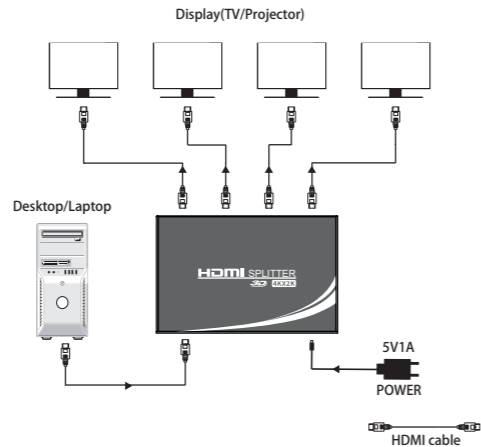
The 4 ports HDMI splitter distributes one HDMI source to four HDMI sinks. This splitter supports standard HDMI specifications, such as max 10.2Gbps data rate, 12 bit deep color, 3D, lip sync, HD lossless audio format, and 4K*2K PC resolution.

Features

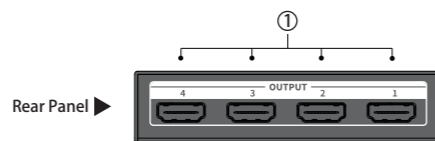
- One HDMI input, Four HDMI output;
- Max input / output resolution 4K*2K @30Hz;
- COMPLIANT HDMI 1.4;
- Support 3D;
- Support 24/30/36 big deep color;
- Compliant with HDCP devices;
- Audio format LPCM7.1/DTS/DOLBY-AC3
- DSD/DTS-HD/Dolby-trueHD.

(To prevail in kind)

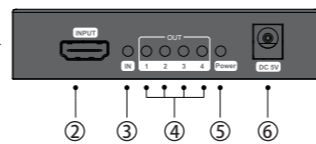
Connection Reference



Panel Introduction



Front panel



- ① HDMI outputs 1/2/3/4: using HDMI cables link to HDMI sinks, such as LCD display and projector.
- ② HDMI input: using HDMI cable to connect with HDMI source, like PC, DVD player, Blue-ray Player, laptop, etc.
- ③ HDMI input indicator: LED light on means HDMI input connected.
- ④ HDMI output indicators 1/2/3/4: LED lights on means HDMI outputs connected.
- ⑤ Power indicator: LED light on means power input connected.
- ⑥ Power In: connects to power adapter.

Operation Description

1. Using HDMI cable to connect HDMI source with splitter HDMI Input.
2. Using HDMI cable(s) to connect splitter HDMI output(s) with display.
3. Plug-in power adapter.
4. Ready to use.

Specifications

Input	HDMI *1 female
Output	HDMI *4 female
Input video resolution	480I, 480P, 576I, 576P, 720I, 720P, 1080I, 1080P, 4K
Output video resolution	480I, 480P, 576I, 576P, 720I, 720P, 1080I, 1080P, 4K
HDMI version	compliant with HDMI v1.4
Input HDMI cable le	≤ 8m AWG24 HDMI standard cable
Output HDMI cable le	≤ 8m AWG24 HDMI standard cable
Power adapter	input AC 100-240V 50/60Hz, output DC 5V/1A
Working Temp	0~40℃
Working Humidity	5~85%RH (no condensation)
Device Size	96X62X23(mm)
Device weight	120g

Package Contains

No.	Item	Qty	Remark
1	Splitter	1	
2	Power adapter/USB Power cord	1	
3	User manual	1	
4	Warranty card	1	

The matters needing attention of installation

- In order to ensure the reliable performance of the equipment and the safety of the user, please observe the following matters during the process of installation, use and maintenance.
- Please do not use this product in the following places: the place of dust, soot and electric conductivity dust, corrosive gas, combustible gas; the place exposed to high temperature, condensation, wind and rain; the occasion of vibration and impact. Electric shock, fire, wrong operation can lead to damage and deterioration to the product, either;
 - Should avoid wiring and inserting cable plug in charged state, otherwise it is easy to cause the shock, or electrical damage;
 - The installation and wiring should be strong and reliable, contact undesirable may lead to false action;
 - This product grounds by the grounding wires. To avoid electric shocks, grounding wires and the earth must be linked together. Before the connection of input or output terminal, please make sure this product is correctly grounded;
 - Only after cutting down all external power source, can install, wiring operation begin, or it may cause electric shock or equipment damage;
 - Please do not dismantle the equipment, avoid damaging the internal electrical component.